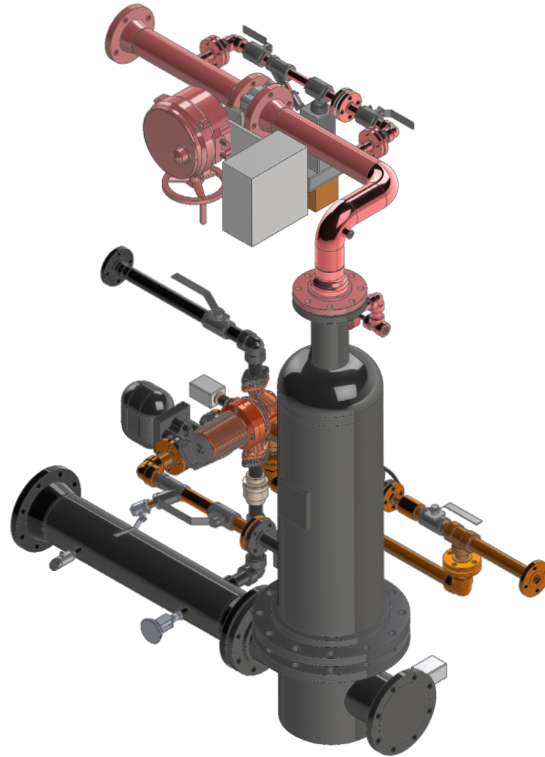


---

# MCU - Simplex

## Building Heat & Process



---

### Features

- One vertical flooded U-tube heat exchanger
- Condensate control valve with subcooling condensate return below 200°F, resulting in a 0% flash return system
- Automatic steam start-up and shut-off valve
- Total install costs will be 20% less than any other method
- NEMA 4 control panel with an advanced programmable controller, graphic HMI display including BACnet, Lon, Modbus compatibility and remote access
- 5% to 8% energy savings and reduced carbon footprint
- Liquid stability set point at 2°F

# MCU - Simplex

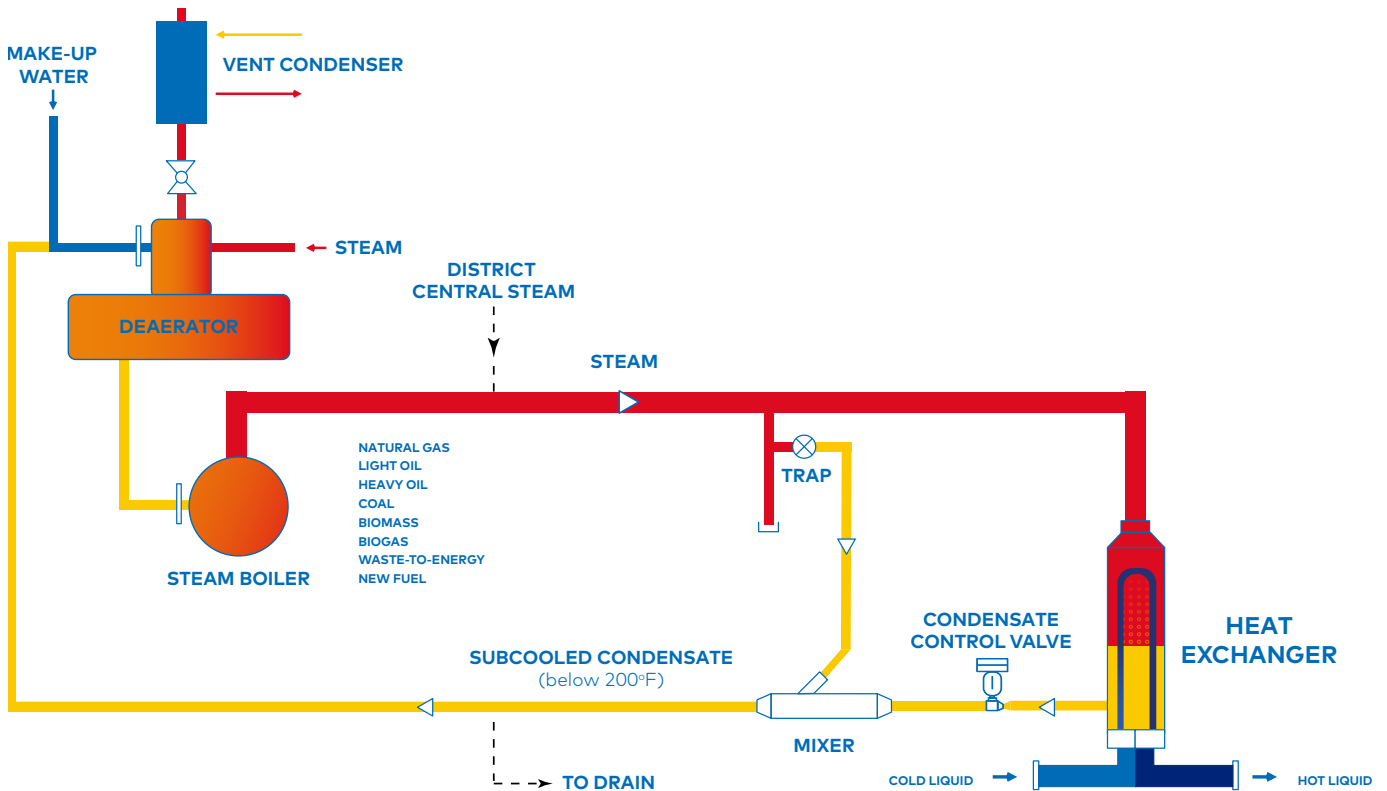
## Technical Diagram

U.S. PATENT #6,857,467 B2

CAN. PATENT #2,416,353



**maxi·  
therm™**  
beyond steam™



### All Maxi-Therm basic designs do not require:

- Steam pressure reducing station and no steam safety valve to roof
- Condensate return pump station
- Flash tank
- Steam vents to roof